

# COIN WL



Adjustable wall mounted luminaire with lens optics. Top quality SMD LED module with colour consistency MacAdams  $\leq 3$ , extensive portfolio of beam angles and CCTs. Driver: built-in AC driver. Mounting on any type of wall. Body is made of steel and aluminium. Standard colour RAL 9005S, any other colour from basic RAL range available at no extra cost. Variety of optics allows to use this luminaire in different types of lighting projects.

Luminous flux & Luminaire Power tolerance up to 10%. System power consumption depends on components used. Luminous efficacy depends on type of LED's, electronics, optics and diffusor. The most up to date technical parameters can be found on our website and in database of LDT files.

Lighting direction



PDF datasheet:

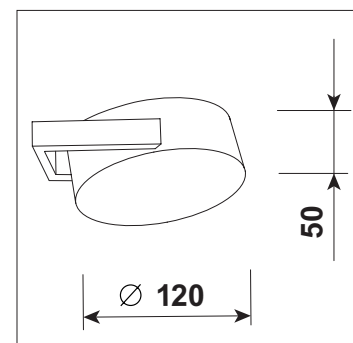


# COIN WL

<b>Mounting:</b>	Wall mounting
<b>Body material:</b>	Steel and aluminium
<b>Colour:</b>	Standard black RAL 9005S, other RAL colours on request
<b>Lumen output:</b>	Standard up to 1800lm, any other on request
<b>LED module:</b>	Osram or equivalent SMD LED module
<b>Colour temperature:</b>	3000/4000K, other on request
<b>Colour Rendering:</b>	CRI>80 in standard, other on request
<b>Driver:</b>	EVG on-off integrated
<b>Wireless control:</b>	N/A
<b>Daylight/Occupancy sensor:</b>	N/A
<b>Emergency unit:</b>	N/A
<b>Operating temperature range:</b>	0°C ... +35°C
<b>IP Class:</b>	IP20 in standard
<b>Power:</b>	220-240V 50/60Hz
<b>Lighting direction:</b>	Direct, adjustable
<b>Light distribution:</b>	Symmetric
<b>Optics:</b>	Lens
<b>Beam angle:</b>	24°/40°
<b>Warranty:</b>	5 Years standard warranty

**COIN WL** wall mounted / adjustable light direction

All current index numbers, lumen outputs, power consumption and many other technical information are available in our 2024 pricelist. Details on wireless lighting control systems on page number 896.



Basic dimensions